



TOZEN
A joint reliance

GENERAL
CATALOGUE

CORPORATE PROFILE CORPORATION
TOZEN CORPORATION

Establishment Date	August 1972
Address	8-4, Asahi, Yoshikawa Saitama 342-0008, Japan
Tel No.	81-48-9931030
Fax No.	81-48-9931038
Website	www.tozen.info
Email	team@tozen.info
Associated Companies	Tozen Sangyo Co., Ltd. Tozen Enterprise Co., Ltd. Tozen (H.K.) Ltd. Tozen International Supplies Ltd. Tozen (M) Sdn. Bhd. Tozen (Thailand) Co., Ltd. Tozen Philippines, Inc. Guangzhou Tozen Engineering Co., Ltd. Tozen Industrial Co., Ltd. Tianjin Tozen Bohai Valve Co., Ltd. Shanghai Tozen Rubber Industrial Co., Ltd. Shanghai Tozen Zhuanqiao Metal Products Co., Ltd. Rite Dimension Sdn. Bhd.
Factories	Saitama, Japan Shanghai, China Tianjin, China Bangkok, Thailand Ipoh, Malaysia
No. of Employee	450 person
Nature of Business	<ul style="list-style-type: none">• Manufacturing and sales of construction, civil, mechanical and piping related products.• Rubber flexible & expansion joints, stainless steel flexible & expansion joints, teflon flexible & expansion joints, noise & vibration control products and various industrial rubber products.• Valves, fittings, pipes, pumps, other piping materials and equipments, etc.



**DOUBLE BELLOW RUBBER FLEXIBLE JOINT
TWINFLEX SCREWED TYPE**

Size : 15mm ~ 50mm
Material : Synthetic rubber
Pressure rating : 16bar
Type : Double bellow, Screwed connection



**DOUBLE BELLOW RUBBER FLEXIBLE JOINT
TWINFLEX FLANGED TYPE**

Size : 20mm ~ 300mm
Material : Synthetic rubber
Pressure rating : 20bar (20mm ~ 150mm)
16bar (200mm ~ 300mm)
Type : Double bellow, Flanged connection



**SINGLE BELLOW RUBBER FLEXIBLE JOINT
10-FLEX**

Size : 32mm ~ 300mm
Material : Synthetic rubber
Pressure rating : 10bar
Type : Single bellow, Flanged connection



**SINGLE BELLOW RUBBER FLEXIBLE JOINT
TOZENFLEX**

Size : 20mm ~ 400mm
Material : Synthetic rubber
Pressure rating : 16bar
Type : Single bellow, Flanged connection



**SINGLE BELLOW RUBBER FLEXIBLE JOINT
DYNAFLEX**

Size : 32mm ~ 300mm
Material : Synthetic rubber
Pressure rating : 14.7bar (32mm ~ 100mm)
11.8bar (125mm ~ 300mm)
Type : Single bellow, Flanged connection



RUBBER FLEXIBLE JOINT - ABOVEGROUND & UNDERGROUND TYPE

PT-LS

Size : 20mm ~ 1500mm
 Material : Synthetic rubber
 Pressure rating : 10bar / 16bar / 20bar / 25bar / 30bar
 Eccentricity : 20mm / 50mm / 100mm / 200mm / 300mm / 400mm
 Type : 1 ~ 7 bellows, Suitable for underground application



FLEXIBLE DRAINAGE CONNECTOR - ABOVEGROUND & UNDERGROUND

FLEXI-DRAIN

Size : 40mm ~ 300mm
 Material : Natural rubber
 Pressure rating : 1bar
 Type : Socket joint type



FLEXIBLE HOSE - FOR FAN COIL UNIT & OTHER EQUIPMENTS

FACOLEX

Size : 15mm ~ 25mm
 Material : Rubber with stainless steel braiding
 Pressure rating : 20bar (15mm)
 16bar (20mm)
 10bar (25mm)
 Type : Flexible hose, Screwed connection



DOUBLE BELLOW RUBBER FLEXIBLE JOINT

TWINFLEX 20

Size : 150mm ~ 300mm
 Material : Synthetic rubber
 Pressure rating : 20bar
 Type : Double bellow, Flanged connection



STAINLESS STEEL FLEXIBLE HOSE

SF-100

Size : 15mm ~ 50mm
 Material : Stainless Steel
 Pressure rating : 16bar / 25bar
 Temperature rating : Maximum 200°C
 Type : Screwed connection

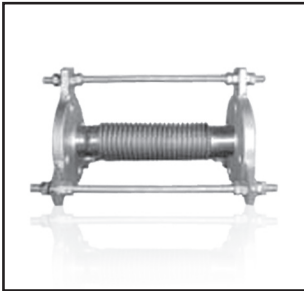


STAINLESS STEEL FLEXIBLE HOSE

SF-600

Size : 15mm ~ 300mm
 Material : Stainless Steel
 Pressure rating : 10bar / 16bar
 Temperature rating : Maximum 200°C
 Type : Flanged connection

* Higher pressure ratings are available.



STAINLESS STEEL EXPANSION HOSE

JBF

Size : 20mm ~ 600mm
 Material : Stainless Steel
 Pressure rating : 10bar / 16bar
 Temperature rating : Maximum 200°C
 Type : Flanged connection

* Higher pressure ratings are available.



STAINLESS STEEL EXPANSION JOINT C/W EXTERNAL COVER

JBS

Size : 25mm ~ 500mm
 Material : Stainless Steel
 Pressure rating : 10bar / 16bar
 Temperature rating : Maximum 200°C
 Type : Single bellow, Flanged connection



STAINLESS STEEL EXPANSION JOINT C/W EXTERNAL COVER

JBD

Size : 25mm ~ 500mm
 Material : Stainless Steel
 Pressure rating : 10bar / 16bar
 Temperature rating : Maximum 200°C
 Type : Double bellow, Flanged connection



TEFLON EXPANSION JOINT

FLONEX

Size : 20mm ~ 300mm
 Material : Teflon
 Pressure rating : 10bar (20mm ~ 100mm)
 6.5bar (125mm ~ 300mm)
 Type : Flanged connection



TEFLON FLEXIBLE JOINT

POLIFLEX-T

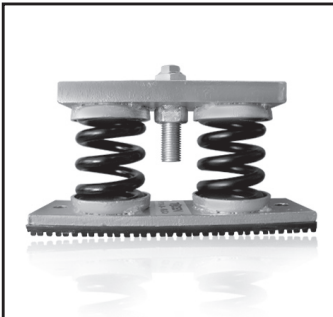
Size : 8mm ~ 100mm
 Material : Teflon with stainless steel braiding
 Pressure rating : 10bar
 Type : Screwed / Flanged connection



FLOOR MOUNTING SINGLE SPRING ISOLATOR

PTM-AP

Capacity : 10kg ~ 1400kg
 Deflection : 25mm / 50mm / 75mm / 100mm



FLOOR MOUNTING MULTIPLE SPRING ISOLATOR

PTM-AM

Capacity : 1650kg ~ 5600kg
 Deflection : 25mm / 50mm / 75mm / 100mm



HOUSED SPRING ISOLATOR

PTM-C

Capacity : 150kg ~ 1400kg
 Deflection : 25mm



RESTRAINED SPRING ISOLATOR

PTM-D

Capacity : 150kg ~ 11,200kg
 Deflection : 25mm / 50mm / 75mm / 100mm

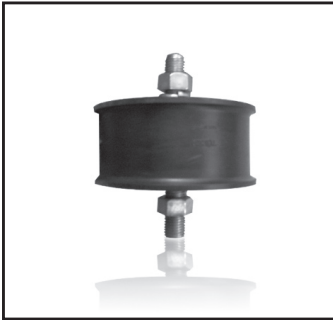
*The technical data stated are based on our standard specification. For other specification, please contact our sales office.
 Design and specifications are subject to change without prior notice.*



FLOOR MOUNTED RUBBER VIBRATION ISOLATOR

PTM-GP

Capacity : 30kg ~ 450kg
Static deflection : 8 ~ 10mm



VIBRATION ISOLATING RUBBER MOUNT

PTM-G

Capacity : 20kg ~ 1500kg
Static deflection : 2 ~ 8mm



SPRING VIBRATION ISOLATING HANGER

PTH-S

Capacity : 10kg ~ 5600kg
Deflection : 25mm / 50mm / 75mm / 100mm



SPRING & RUBBER VIBRATION ISOLATING HANGER

PTH-SG

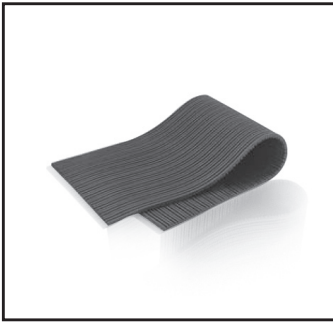
Capacity : 25kg ~ 1100kg
Deflection : 25mm / 50mm / 75mm / 100mm



VIBRATION ISOLATING RUBBER HANGER

PTH-G / PTH-GG

Capacity : 25kg ~ 450kg
Static deflection : 4 ~ 6mm



VIBRATION PROOF RUBBER SHEET

PT-MAT

Thickness : 10mm / 15mm / 20mm
Static deflection : Maximum 3mm



WATER HAMMER SHOCK ABSORBER

MOOHA

Size : 25mm ~ 150mm
Material : Casing - Mild steel
Elastic tube - Synthetic rubber
Pressure rating : 16bar
Type : Flanged connection



WAFER TYPE BUTTERFLY VALVE

BFV-W

Size : 50mm ~ 1000mm
Material : Body - Cast iron / Ductile iron
Disc - Ductile iron / Aluminium bronze / Stainless steel
Seat - EPDM / NBR / PTFE / Viton
Pressure rating : 16bar (50mm ~ 600mm)
10bar (700mm ~ 1000mm)
Type : Lever / Wormgear operator, Wafer connection

** Higher pressure ratings and other body materials are available.*



LUG TYPE BUTTERFLY VALVE

BFV-L

Size : 50mm ~ 600mm
Material : Body - Cast iron / Ductile iron
Disc - Ductile iron / Aluminium bronze / Stainless steel
Seat - EPDM / NBR / PTFE / Viton
Pressure rating : 16bar
Type : Lever / Wormgear operator, Lugged connection

** Higher pressure ratings and other body materials are available.*



DOUBLE FLANGE BUTTERFLY VALVE (CONCENTRIC YPE)

BFV-DC

Size : 50mm ~ 1200mm
Material : Body - Cast iron / Ductile iron
Disc - Ductile iron / Aluminium bronze / Stainless steel
Seat - EPDM / NBR / Viton
Pressure rating : 16bar (50mm ~ 600mm)
10bar (700mm ~ 1200mm)
Type : Lever / Wormgear operator, Double flanged connection

** Higher pressure ratings and other body materials are available.*

*The technical data stated are based on our standard specification. For other specification, please contact our sales office.
Design and specifications are subject to change without prior notice.*



DOUBLE FLANGE BUTTERFLY VALVE (ECCENTRIC TYPE)

BFV-DE

Size : 350mm ~ 2000mm
 Material : Body - Cast iron / Ductile iron
 Disc - Ductile iron / Aluminium bronze / Stainless steel
 Seat - EPDM / NBR / Viton
 Pressure rating : 16bar (350mm ~ 1200mm)
 10bar (1400mm ~ 2000mm)
 Type : Wormgear operator, Double flanged connection

** Higher pressure ratings and other body materials are available.*



DOUBLE FLANGE BUTTERFLY VALVE (UNIVERSAL TYPE)

BFV-DU

Size : 700mm ~ 1200mm
 Material : Body - Cast iron / Ductile iron
 Disc - Ductile iron / Aluminium bronze / Stainless steel
 Seat - EPDM / NBR / Viton
 Pressure rating : 10bar / 16bar
 Type : Wormgear operator, Double flanged connection

** Higher pressure ratings and other body materials are available.*



CAST IRON GATE VALVE

CGV

Size : 50mm ~ 600mm
 Material : Cast iron
 Pressure rating : 16bar (50mm ~ 300mm)
 10bar (350mm ~ 600mm)
 Type : Non rising stem, Flanged connection

** Higher pressure ratings and other body materials are available.*



CAST IRON RISING STEM GATE VALVE

R-CGV

Size : 50mm ~ 600mm
 Material : Cast iron
 Pressure rating : 16bar (50mm ~ 300mm)
 10bar (350mm ~ 600mm)
 Type : Rising stem, Flanged connection

** Higher pressure ratings and other body materials are available.*



CAST IRON GATE VALVE

IGV

Size : 40mm ~ 400mm
 Material : Cast iron
 Pressure rating : 10bar
 Type : Non rising stem, Flanged connection

** Higher pressure ratings and other body materials are available.*



CAST IRON GATE VALVE

B-CGV

Size : 40mm ~ 300mm
 Material : Cast iron
 Pressure rating : 10bar
 Type : Non rising stem, Flanged connection



DUCTILE IRON RESILIENT SEAT GATE VALVE

DRGV

Size : 50mm ~ 600mm
 Material : Ductile iron
 Pressure rating : 16bar
 Type : Resilient seat, Non rising stem, Flanged connection



CAST IRON GLOBE VALVE

CGLV

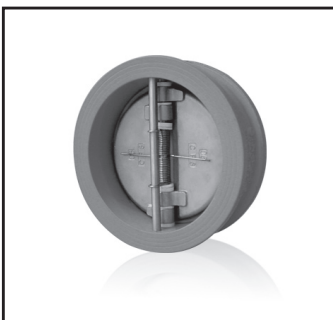
Size : 50mm ~ 300mm
 Material : Cast iron
 Pressure rating : 16bar
 Type : Flanged connection



CAST IRON GLOBE VALVE (S-PATTERN)

S-CGLV

Size : 15mm ~ 200mm
 Material : Cast iron
 Pressure rating : 16bar
 Type : Flanged connection



CAST IRON DUAL DOOR CHECK VALVE

CDCV-W

Size : 50mm ~ 800mm
 Material : Body - Cast iron
 Disc - Ductile iron / Aluminium bronze / Stainless steel
 Seat - EPDM / NBR
 Pressure rating : 16bar (50mm ~ 600mm)
 10bar (700mm ~ 800mm)
 Type : Double door, Wafer connection

* Higher pressure ratings and other body materials are available.



CAST IRON SWING CHECK VALVE

CCV

Size : 50mm ~ 600mm
 Material : Cast iron
 Pressure rating : 16bar
 Type : Swing type, Flanged connection



CAST IRON SILENT CHECK VALVE

ESCV-F

Size : 50mm ~ 300mm
 Material : Cast iron
 Pressure rating : 16bar
 Type : Silent type, Flanged connection

** Higher pressure ratings and other body materials are available.*



CAST IRON SILENT CHECK VALVE

GSCV-F

Size : 50mm ~ 400mm
 Material : Cast iron
 Pressure rating : 16bar
 Type : Silent type, Flanged connection

** Higher pressure ratings and other body materials are available.*



CAST IRON Y TYPE STRAINER

CYS

Size : 50mm ~ 600mm
 Material : Cast iron
 Pressure rating : 16bar
 Type : Y-pattern body, Flanged connection

** Higher pressure ratings and other body materials are available.*



CAST IRON BASKET TYPE STRAINER

CBS

Size : 50mm ~ 600mm
 Material : Cast iron
 Pressure rating : 16bar
 Type : T-shape design, Flanged connection

*The technical data stated are based on our standard specification. For other specification, please contact our sales office.
 Design and specifications are subject to change without prior notice.*



CAST IRON FOOT VALVE

CFV

Size : 50mm ~ 300mm
 Material : Cast iron
 Pressure rating : 16bar
 Type : Flanged connection



CAST IRON AUTOMATIC AIR VENT

CAAV

Size : 15mm ~ 25mm
 Material : Cast iron
 Pressure rating : 16bar
 Type : Screwed connection



BRASS GATE VALVE

BGV

Size : 15mm ~ 100mm
 Material : Brass
 Pressure rating : 200psi
 Type : Non Rising stem, Screwed connection



BRONZE GATE VALVE

GGV

Size : 15mm ~ 100mm
 Material : Bronze
 Pressure rating : 300psi
 Type : Non Rising stem, Screwed connection



BRONZE RISING STEM GATE VALVE

R-GGV

Size : 15mm ~ 80mm
 Material : Bronze
 Pressure rating : 300psi
 Type : Rising stem, Screwed connection

The technical data stated are based on our standard specification. For other specification, please contact our sales office. Design and specifications are subject to change without prior notice.



BRONZE GLOBE VALVE

GGLV

Size : 15mm ~ 50mm
 Material : Bronze
 Pressure rating : 300psi
 Type : Screwed connection



BRONZE LIFT CHECK VALVE

GLCV

Size : 15mm ~ 50mm
 Material : Bronze
 Pressure rating : 300psi
 Type : Screwed connection



BRONZE SWING CHECK VALVE

GSCV

Size : 15mm ~ 100mm
 Material : Bronze
 Pressure rating : 300psi
 Type : Swing type, Screwed connection



BRONZE Y TYPE STRAINER

GYS

Size : 15mm ~ 80mm
 Material : Bronze
 Pressure rating : 300psi
 Type : Y-pattern body, Screwed connection



BRASS FOOT VALVE

BFV

Size : 15mm ~ 50mm
 Material : Brass
 Pressure rating : 200psi
 Type : Screwed connection

The technical data stated are based on our standard specification. For other specification, please contact our sales office.
 Design and specifications are subject to change without prior notice.



BRONZE FOOT VALVE

GFV

Size : 15mm ~ 50mm
 Material : Bronze
 Pressure rating : 300psi
 Type : Screwed connection



BRASS BALL VALVE

BBV

Size : 15mm ~ 50mm
 Material : Brass
 Pressure rating : 600psi
 Type : Full bore, Screwed connection



BRONZE BALL VALVE

GBV

Size : 15mm ~ 100mm
 Material : Bronze
 Pressure rating : 600psi
 Type : Full bore, Screwed connection



BRONZE ANGLE VALVE

GAGV

Size : 15mm ~ 50mm
 Material : Bronze
 Pressure rating : 300psi
 Type : Rising stem, Screwed connection



GENERAL PRESSURE GAUGE

GP SERIES

Nominal diameter : 65mm / 100mm
 Connection : 6mm (65mm Dial)
 10mm (100mm Dial)
 Range : -760mm ~ 4kgf/cm²
 0 ~ 7/10/16/20 kgf/cm²

* Other ranges are available.

The technical data stated are based on our standard specification. For other specification, please contact our sales office.
 Design and specifications are subject to change without prior notice.



STAINLESS STEEL PRESSURE GAUGE

SP SERIES

Normal diameter : 65mm / 100mm
 Connection : 6mm (65mm Dial)
 15mm (100mm Dial)
 Range : -760mm ~ 4kgf/cm²
 0 ~ 7/10/16/20 kgf/cm²

* Other ranges are available.



V-LINE THERMOMETER

VT SERIES

Scale casing : 150mm
 Stem length : 65mm / 100mm / 150mm
 Range : 0 ~ 120°C / -30 ~ 50°C / -40°C ~ 40°C

* Other ranges are available.



BI-METAL THERMOMETER

BT SERIES

Normal diameter : 65mm / 100mm
 Connection : 6mm (65mm Dial)
 15mm (100mm Dial)
 Stem length : 65mm / 100mm / 150mm
 Range : 0 ~ 120°C / -30 ~ 50°C / -40°C ~ 40°C

* Other ranges are available.



INDUSTRIAL THERMOMETER

IT SERIES

Scale casing : 225mm
 Stem length : 100mm / 150mm / 250mm
 Range : 0 ~ 50°C / 0 ~ 120°C / -30°C ~ 50°C

* Other ranges are available.



ELECTRIC ACTUATOR FOR BUTTERFLY VALVE & BALL VALVE

TA SERIES

Enclosure : Weatherproof enclosure IP67
 Type : On / Off Type
 Power supply : 110/220 V AC, 1 Phase, 50/60 Hz
 380/440 V AC, 3 Phase, 50/60 Hz
 Travel angle : 90°

The technical data stated are based on our standard specification. For other specification, please contact our sales office.
 Design and specifications are subject to change without prior notice.

TOZEN SALES COMPANIES

JAPAN

TOZEN SANGYO CO., LTD.

8-4, Asahi, Yoshikawa
Saitama 342-0008
Japan

Tel : 81-48-9931035
Fax : 81-48-9931018
Email : suishin@tozen.co.jp
Website : www.tozen.co.jp

HONG KONG

TOZEN (H.K.) LTD.

Unit 1607, 16/F., Ho Lik Centre
66A, Sha Tsui Road, Tsuen Wan
Hong Kong

Tel : 852-24132330
Fax : 852-24131697
Email : sales@tozen.com.hk
Website : www.tozen.com.hk

TOZEN INTERNATIONAL SUPPLIES LTD.

Unit 1608, 16/F., Ho Lik Centre
66A, Sha Tsui Road, Tsuen Wan
Hong Kong

Tel : 852-24994188
Fax : 852-24986126
Email : wklaw@tozenintl.com
Website : www.tozenintl.com

MALAYSIA

TOZEN (M) SDN. BHD.

Lot 26, Jalan BRP 9/1B, Putra Industrial Park
Bukit Rahman Putra, 47000
Sungai Buloh, Selangor Darul Ehsan
Malaysia

Tel : 603-61563636
Fax : 603-61563232
Email : enquiry@tozen.com.my
sales@tozen.com.my
Website : www.tozen.com.my

TOZEN SALES COMPANIES

THAILAND

TOZEN (THAILAND) CO., LTD.

3388/62, 18/Fl. Sirinrat Building, Rama IV Road.
Klongtoey, Bangkok 10110
Thailand

Tel : 66-23675721
Fax : 66-23675729
Email : sales@tozen.co.th
Website : www.tozen.co.th

PHILIPPINES

TOZEN PHILIPPINES, INC.

2nd Floor, Chinabank Building
Visayas Ave., Quezon City
Philippines

Tel : 632-9269041 to 45
Fax : 632-9257209
Email : sales@tozenphilippines.com

CHINA

GUANGZHOU TOZEN ENGINEERING CO., LTD.

1705, West Tower Yangcheng International Commercial Centre
Ti Yu Dong Road, Guangzhou
China

Tel : 86-20-38871865 / 38871123
Fax : 86-20-38871865
Email : sales@tozen.cn
Website : www.tozen.cn

TOZEN

A joint reliance



TOZEN Corporation

8-4, Asahi, Yoshikawa
Saitama 342-0008, Japan

Tel No: 81-48-9931030

Fax No: 81-48-9931038